

CEILING MOUNTS

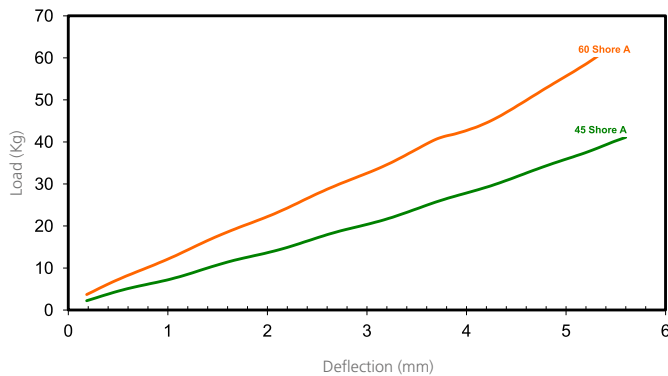
Akustik Range

A-45 Loads from 8 to 30 kg B-60 Loads from 25 to 60 kg

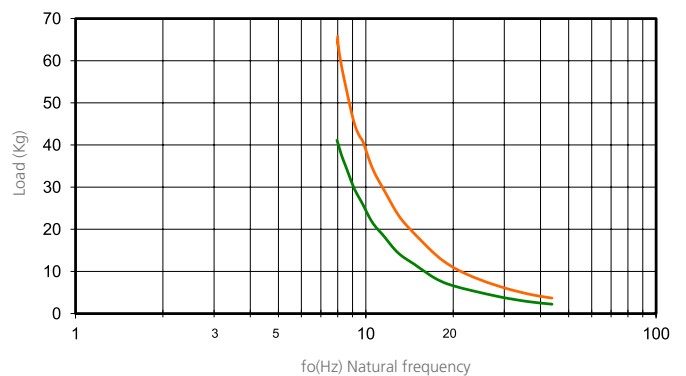
Range designed for suspension of false acoustic ceilings and machinery operating at more than 1.000 r.p.m. The same vibration damping element which is used throughout the Akustik range is made of rubber of high mechanical performance; it is specially designed for vibration damping. The metallic structure is designed to resist loads up to 650 kg. It is supplied with an anti-corrosive zinc-plated coat.

Dynamic behaviour

Static load deflection graph



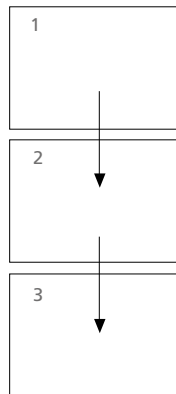
Natural frequency (Hz)



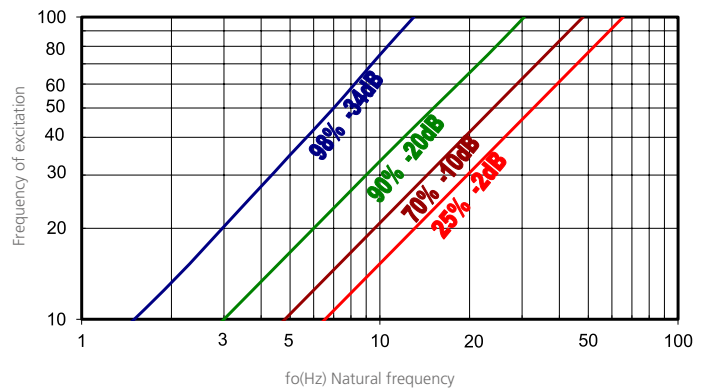
To select correct mounting, following data are needed:

- Load per mounting (kg).
- Disturbing frequency (Hz).

Select correct load line in diagram 1 and refer to diagram 2 to obtain the Natural frequency. With this natural frequency prolong this line to the diagram 3 and obtain the % of isolation at the given frequency of excitation.



% of isolation and attenuation in dB



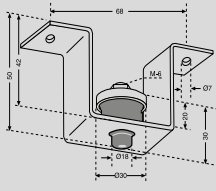
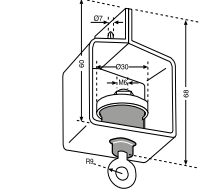
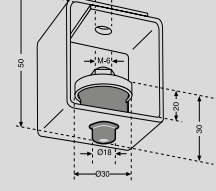
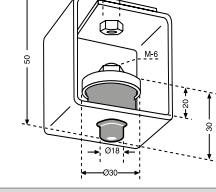
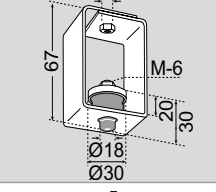
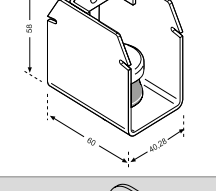
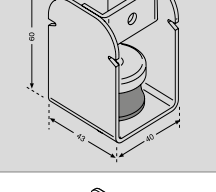
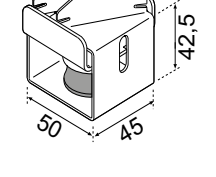
	REF. AMC	LOAD	CODE
	Akustik Super T-47 A-45	8-30 Kg.	23801
	Akustik Super T-47 B-60	25-60 Kg.	23802

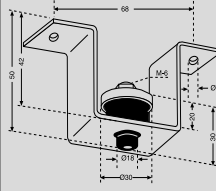
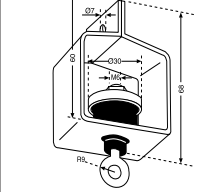
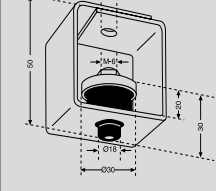
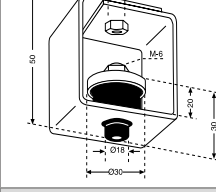
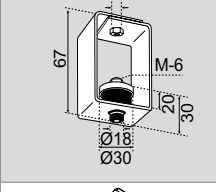
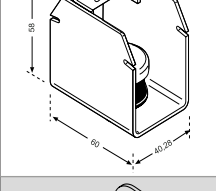
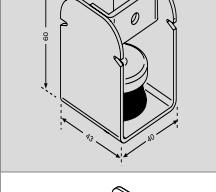
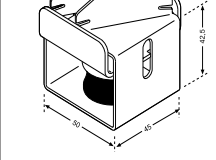
	REF. AMC	LOAD	CODE
	Akustik Super T-60 A-45	8-30 Kg.	23811
	Akustik Super T-60 B-60	25-60 Kg.	23812

	REF. AMC	LOAD	CODE
	Akustik Sierra A-45	8-30 Kg.	23861
	Akustik Sierra B-60	25-60 Kg.	23862

AKUSTIK+ AMC Mecanocaucho

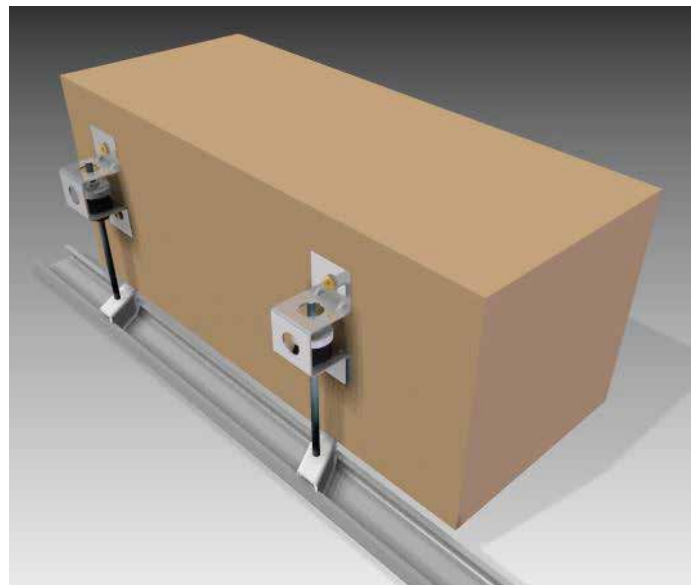
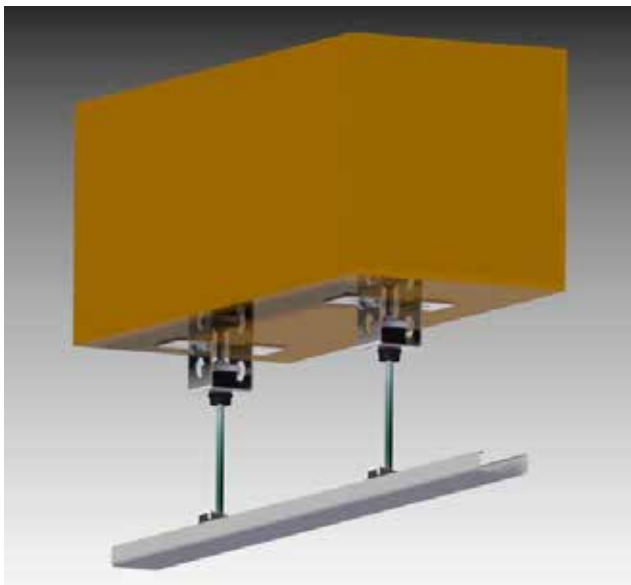
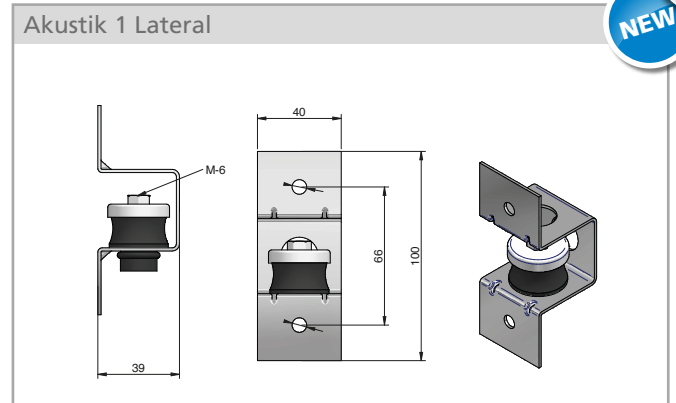
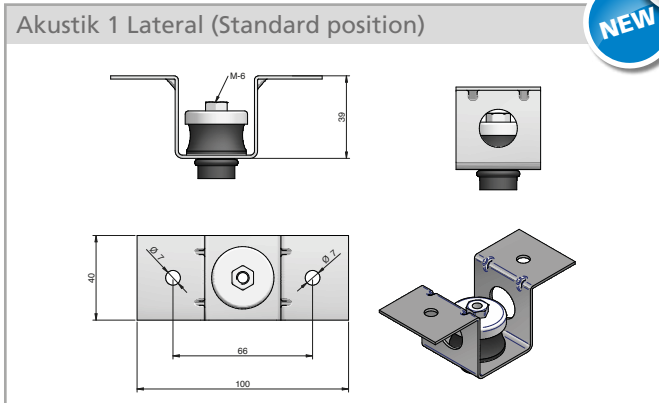
CEILING MOUNTS

REF. AMC	LOAD	CODE	SUMMARY
 AMCAkustik 1 A-45	8-30 Kg	23101	Fitted directly to ceiling using two holes.
 Akustik 2 A-45	8-30 Kg	23111	Anchoring to the ceiling with hooks.
 Akustik 3 A-45	8-30 Kg	23121	Fitted by using an M-6 rod and a nut.
 Akustik 4 A-45	8-30 Kg	23131	Fitted to ceiling using an M-6 rod.
 Akustik 4 high A-45	8-30 Kg	23133	Fitted to ceiling using an M-6 rod.
 Akustik Rapid T-60 A-45	8-30 Kg	23143	Fitted to ceiling using an M-6 rod.
 Akustik Rapid T-47 A-45	8-30 Kg	23145	Designed for easy and accessible fitting together with great strenght.
 Akustik Safety T-47 A-45	8-30 Kg	23210	The rotational system of the part assures the correct installation thanks to the design of the metal part at 45°.

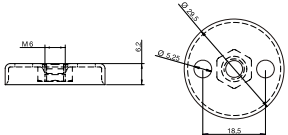
REF. AMC	LOAD	CODE	SUMMARY
 Akustik 1 B-60	25-60 Kg.	23102	Fitted directly to ceiling using two holes.
 Akustik 2 B-60	25-60 Kg.	23112	Anchoring to the ceiling with hooks.
 Akustik 3 B-60	25-60 Kg.	23122	Fitted by using an M-6 rod and a nut.
 Akustik 4 B-60	25-60 Kg.	23132	Fitted to ceiling using an M-6 rod.
 Akustik 4 high B-60	25-60 Kg.	23134	Fitted to ceiling using an M-6 rod.
 Akustik Rapid T-60 B-60	25-60 Kg.	23144	Fitted to ceiling using an M-6 rod.
 Akustik Rapid T-47 B-60	25-60 Kg.	23146	Designed for easy and accessible fitting together with great strenght.
 Akustik Safety T-47 B-60	25-60 Kg.	23213	The rotational system of the part assures the correct installation thanks to the design of the metal part at 45°.

CEILING MOUNTS

Akustik Range



REF. AMC	LOAD	CODE
Akustik 1 Lateral A-45	8-30 Kg	23571
Akustik 1 Lateral B-60	25-60 Kg	23572

REF. AMC	LOAD	CODE
	Levelling bell	23159

Steps of the installation for the Akustik Safety

